



Ordering Information:

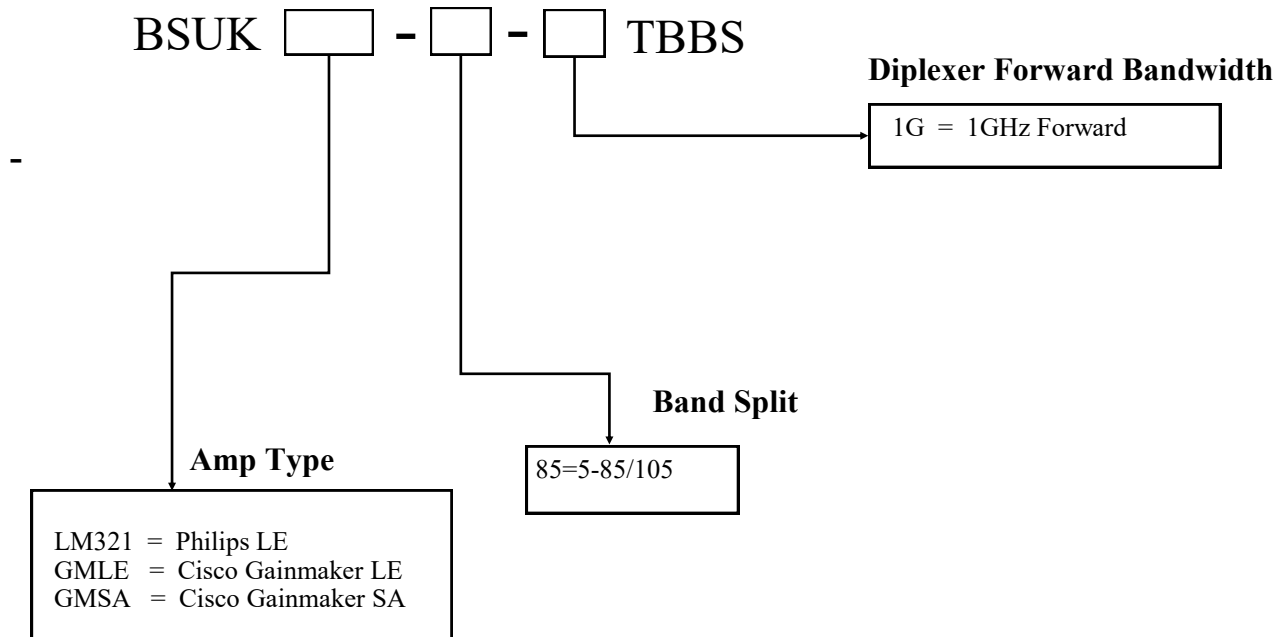
Dennis Zellner
864-541-8641 Ext 201
dennis@thomasonbbs.com

Category Upgrade Boards

Band Split Upgrade Kits (BSUK)

Our Band Split Upgrade Kits are pluggable and field changeable kits containing the necessary components to change you LE or amplifier's band split. Installation is not included in the price and will be quoted separately if needed.

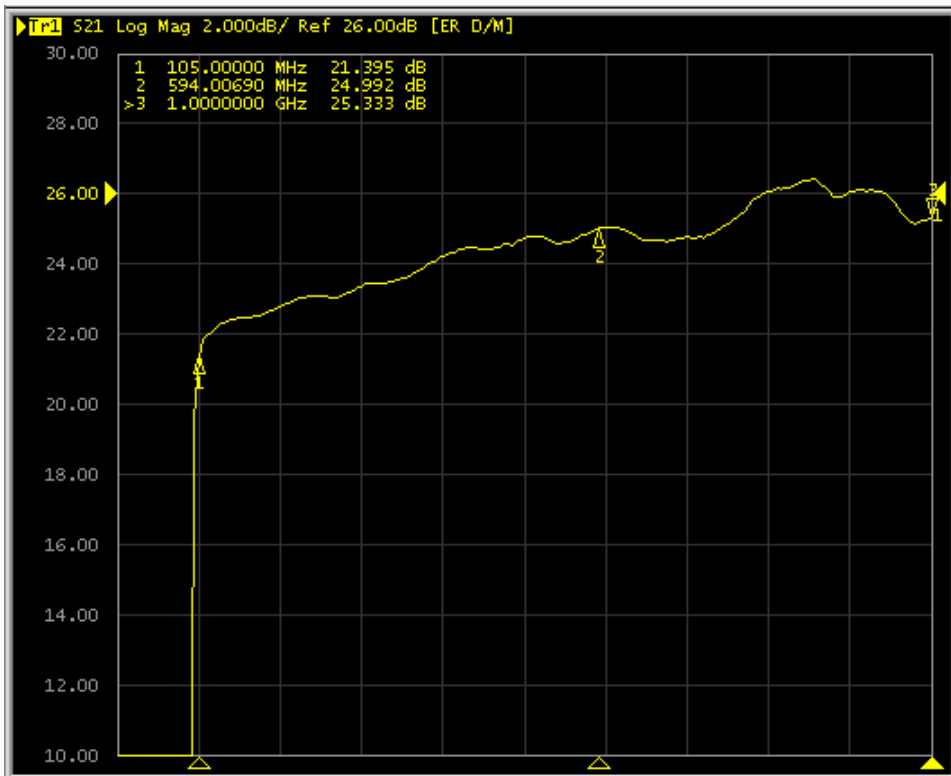
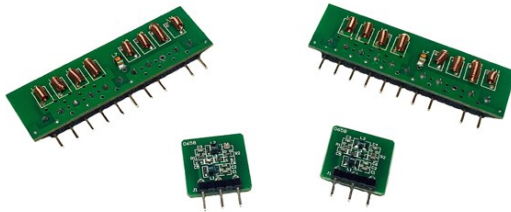
Band Split Upgrade Kit Part Number Matrix





Specifications and Sample Sweeps

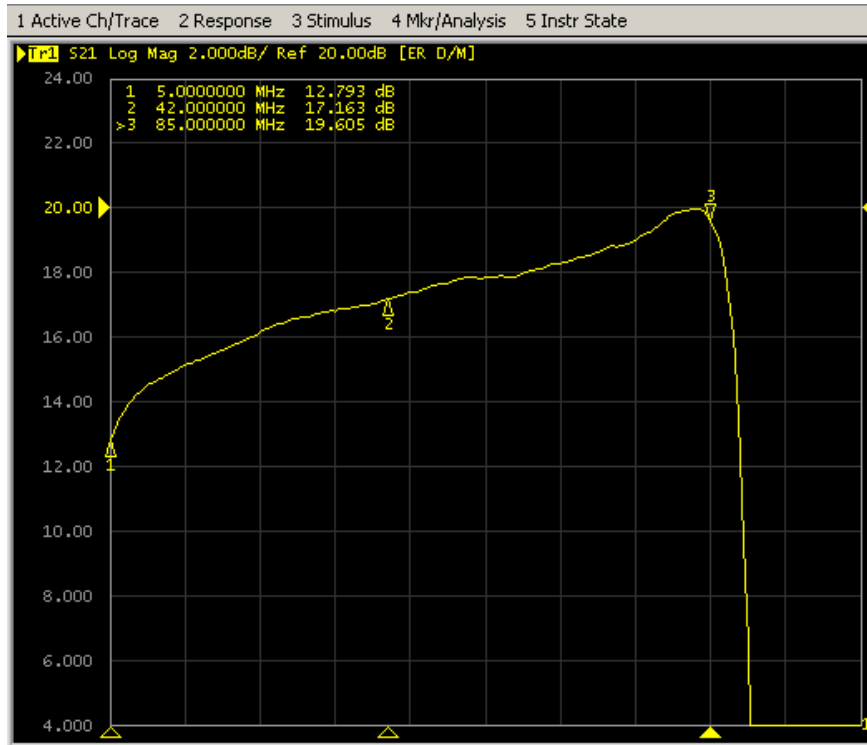
Part Number: BSUK-LM321-85-1GTBBS
Kit Contains: (2) diplex filters, (1) forward high pass filter, (1) Reverse low pass filter



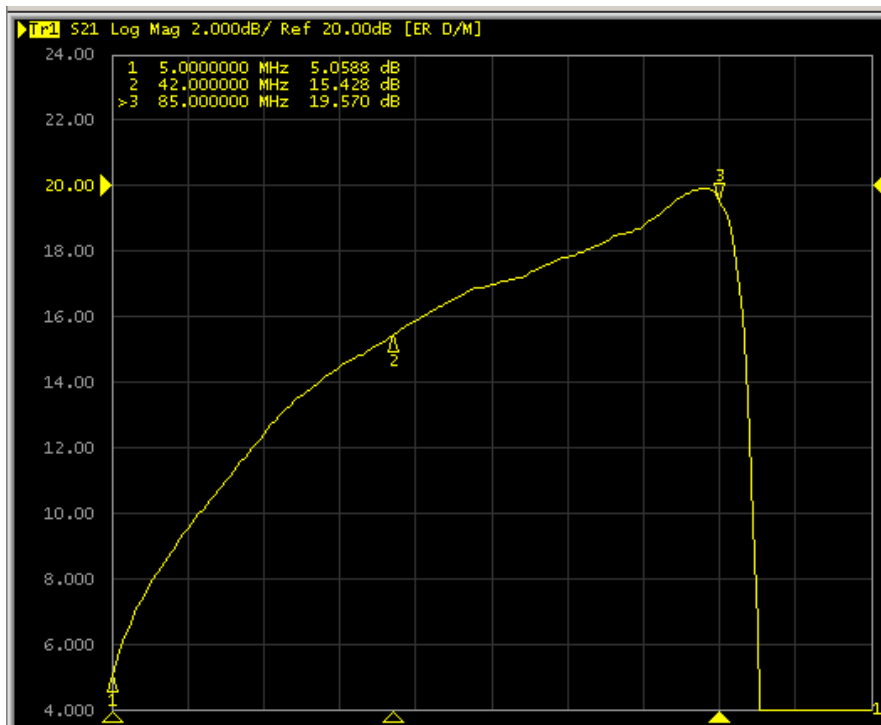
Typical Forward Response (shown with 10 dB pad in interstage)



Category Upgrade Boards



Typical Return Response after upgrade (shown with 4dB pad in EQ slot)



Typical Return Response after upgrade (shown with 12dB pad in EQ slot)