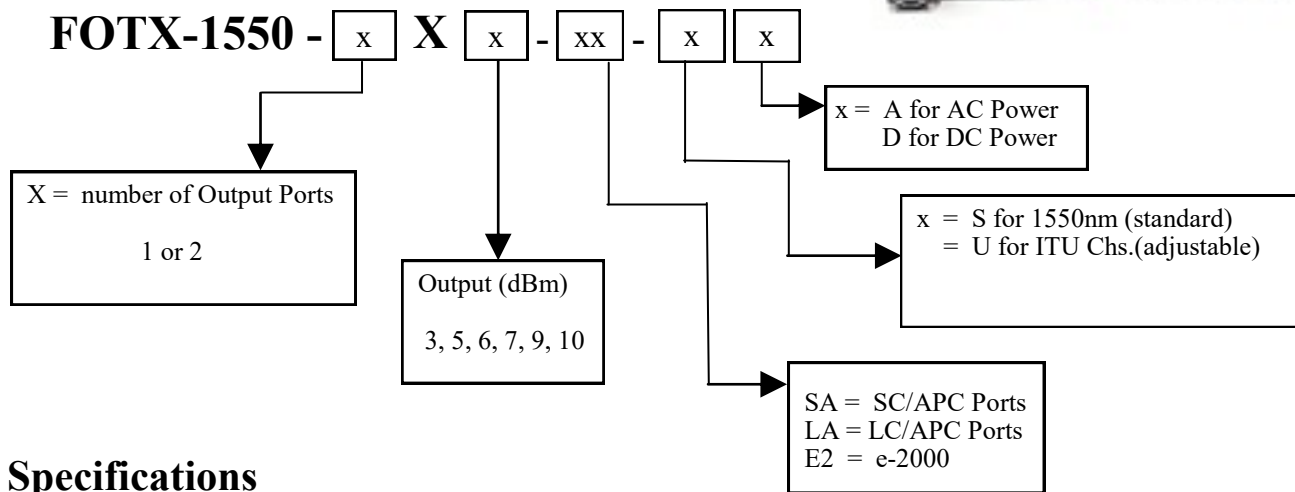




## FOTX Fiber Optic Transmitter Externally Modulated

Our FOTX-1550 series fiber optic transmitters are high performance 1540 -1563nm optical **1GHz** transmitters. They are available in several configurations - output ports, power, connector type and frequency. They utilize high quality LiNbO3 (Lithium Niobate) wave-guided external modulation technology, with zero-chirp and low dispersion. It incorporates a high power, narrow bandwidth, low noise DFB laser. Other features include SBS technology (adjustable), SNMP management interface, AC or DC dual power supplies.

### Part Number Matrix



### Specifications

	<b>“S”</b>	<b>“U”</b>	Return loss	> 16 dB @ 75 ohms
Operating wavelength (nm)	1550 +/- 10%	1540 to 1563	Distortions @PAL-D 60CH	@PAL-D 99CH
Wavelength adjustable range	na	1.6nm (+/-200GHz)	CNR1	>= 53.0dB
Wavelength adjustable mode	na	+/- 0.05nm steps	CNR2	>= 51.5dB
Side mode suppression	>= 45dB		w/50KM fiber 0dB receive	
Equivalent noise intensity (dB/Hz)	</=-160		CTB	</=-65dB
RF Bandwidth	47-1002MHz		CSO	</=-65dB
RF Input / Level	“F” conn / 18-28 dBmV		SNMP	RJ45
Flatness (dB)	</= 0.75 47-870MHz		Communications Interface	RS232
	</= 1.5 870-1002MHz		Power	90-265 VAC 50/60Hz
Return loss	> 16 dB @ 75 ohms		Power Consumption	</= 50 W
SBS Restraint (dBm)	13,16 18 adjustable			