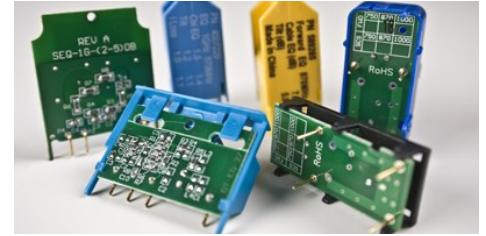




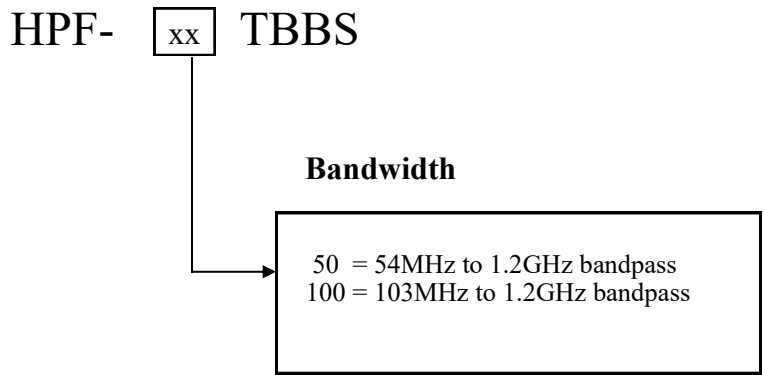
Category Filters



In-Line High Pass Filter HPF-XXH-1.2G

Our **F-Style In-Line High Pass Filters (HPF)** are high quality in-line high pass filters designed to pass the forward band of the cable plant.. They are engineered and built with the intent to be the **best** in the industry. They are presently available in 54MHz to 1.2Ghz and 103MHz to 1.2GHz bandwidths. Intended for use in indoor or house/apartment boxes.

Part Number Matrix

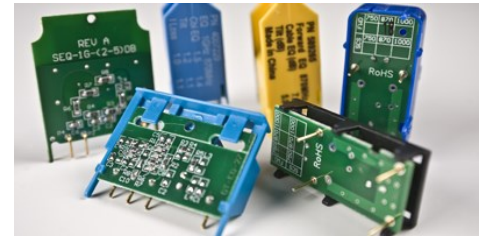


Specifications

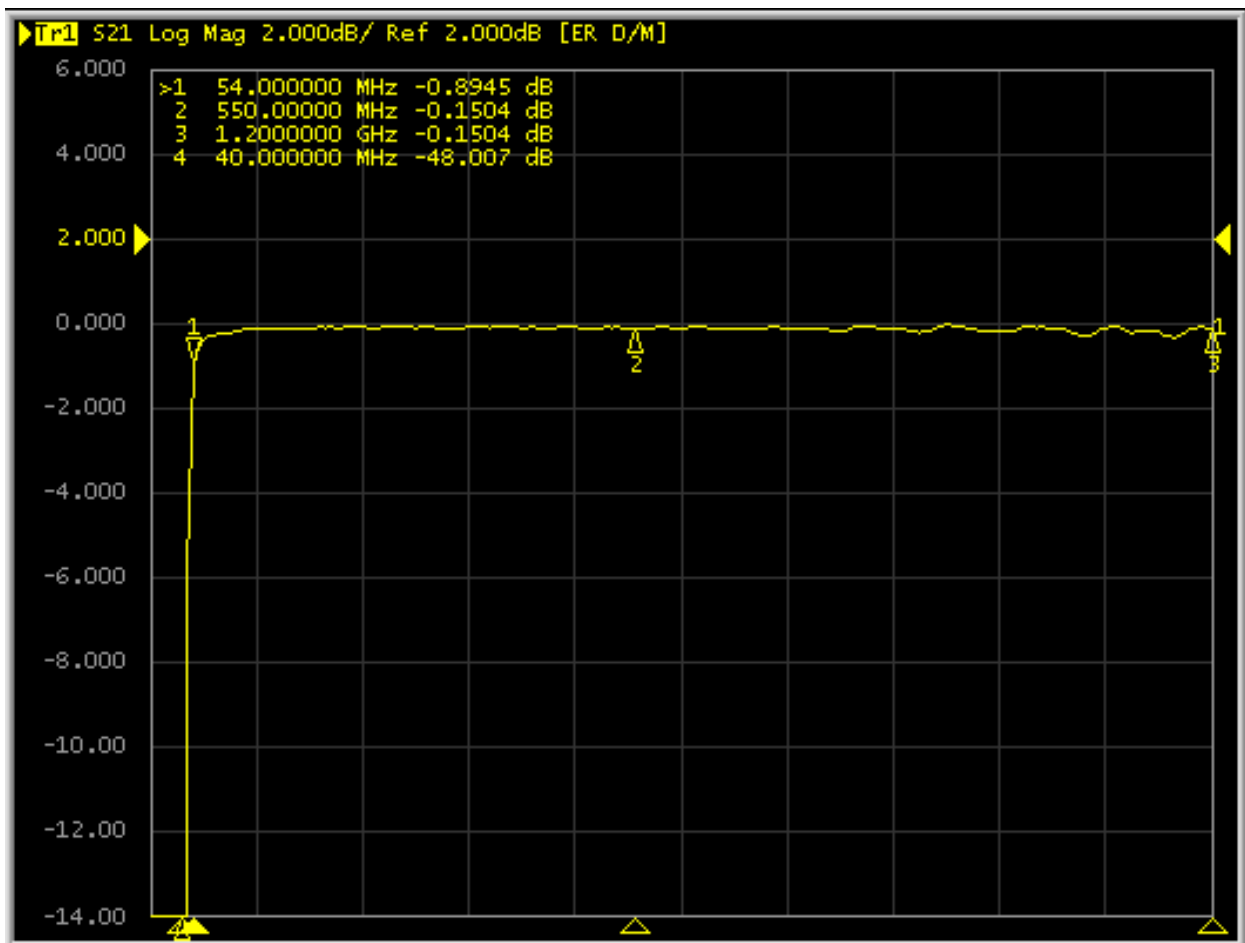
Band Pass: HPF-50	54 - 1220MHz
HPF-100	103 - 1220MHz
Band Pass Flatness	+/- 0.2dB (w/ respect to slope)
Return Loss	>-20dB min
RFI	125dB
Length	43.5mm (1.7")
Diameter	11mm/.434" (7/16")
Style	One piece F-Male to F- Female
Body	Nickel plated brass housing



Category Filters



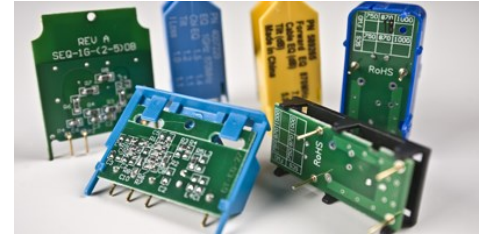
Sweeps



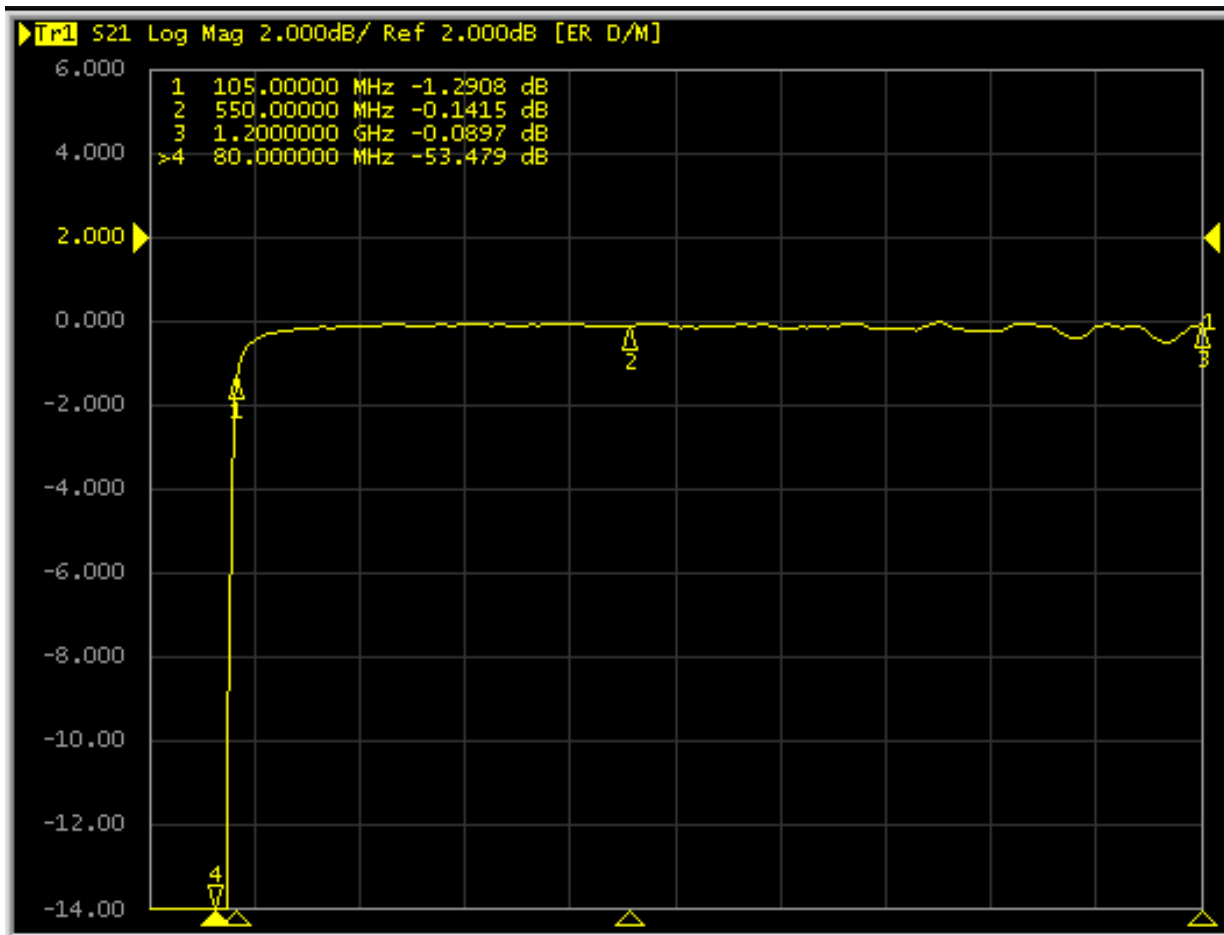
HPF-50H-1.2G



Category Filters



Sweeps



HPF-100H-1.2G