



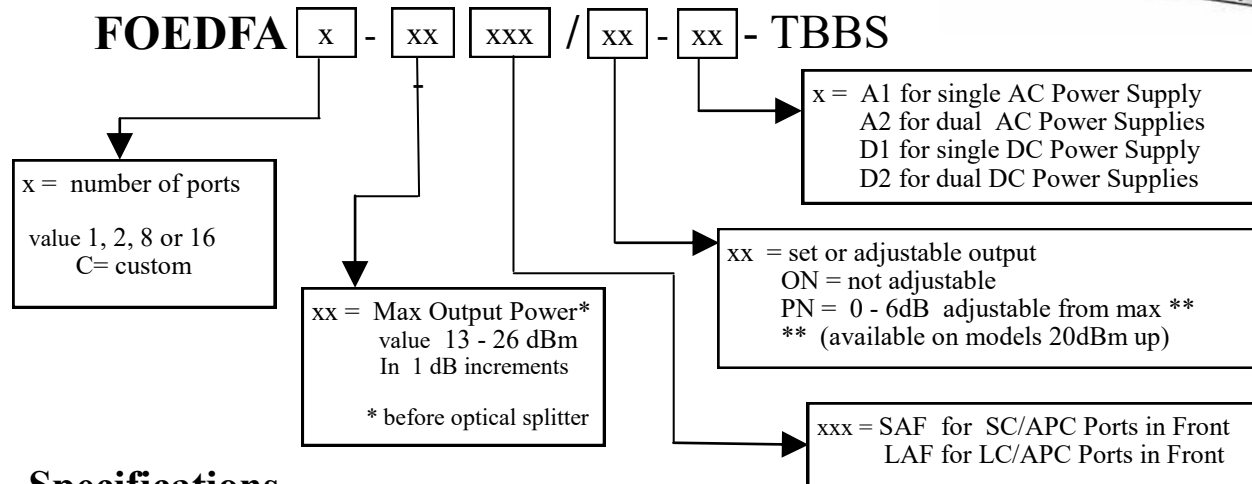
QR ordering link



EDFAs Erbium Doped Fiber Amplifier

Our **FOEDFA** series EDFA's are high performance 1540 -1563nm optical amplifiers which are available in several configurations of output power and ports. An example is our FOEDFA5826SAF/PN which is a high-power multi-port EDFA with 8 SC/APC ports (on front), with 18.5dBm available on each port. The unit's total output of 26dBm can be adjusted from 26dBm to 20dBm with front panel control or SNMP. The input power specs out at -10 to 7.5 (typical 3.0dBm), Professionally built with dual power supplies and 4 cooling fans, it's size is 1RU 19 × 14.3 × 1.75".

Part Number Matrix



Specifications

Wavelength range(λ)	1540 to 1563nm	Model	Output Power (max)	Noise Figure
Input power (dBm)	-10 (min) to 7.5 (max)	FOEDFAx13	13dBm	4.0dB
Output power (model dependent)	from +10 to +26dBm	FOEDFAx14	14dBm	4.1dB
Output power Range (dBm)	0 to -6 from max	FOEDFAx15	15dBm	4.2dB
Noise figure	4.0 to 6.3 dB	FOEDFAx16	16dBm	4.3dB
Polarization dependence loss	0.3dB max	FOEDFAx17	17dBm	4.5dB
Polarization dependence gain	0.4dB max	FOEDFAx18	18dBm	4.8dB
Polarization mode dispersion	0.5dB max	FOEDFAx19	19dBm	5.0dB
Input/output Isolation	30dB min	FOEDFAx20	20dBm	5.3dB
Pump Power leakage	-30dBm max	FOEDFAx21	21dBm	5.5dB
Echo Loss	55dB min (APC)	FOEDFAx22	22dBm	5.8dB
SNMP	YES	FOEDFAx23	23dBm	6.0dB
Power Supply	90-265VAC	FOEDFAx24	24dBm	6.3dB
	48 VDC	FOEDFAx25	25dBm	6.5dB
		FOEDFAx26	26dBm	6.8dB