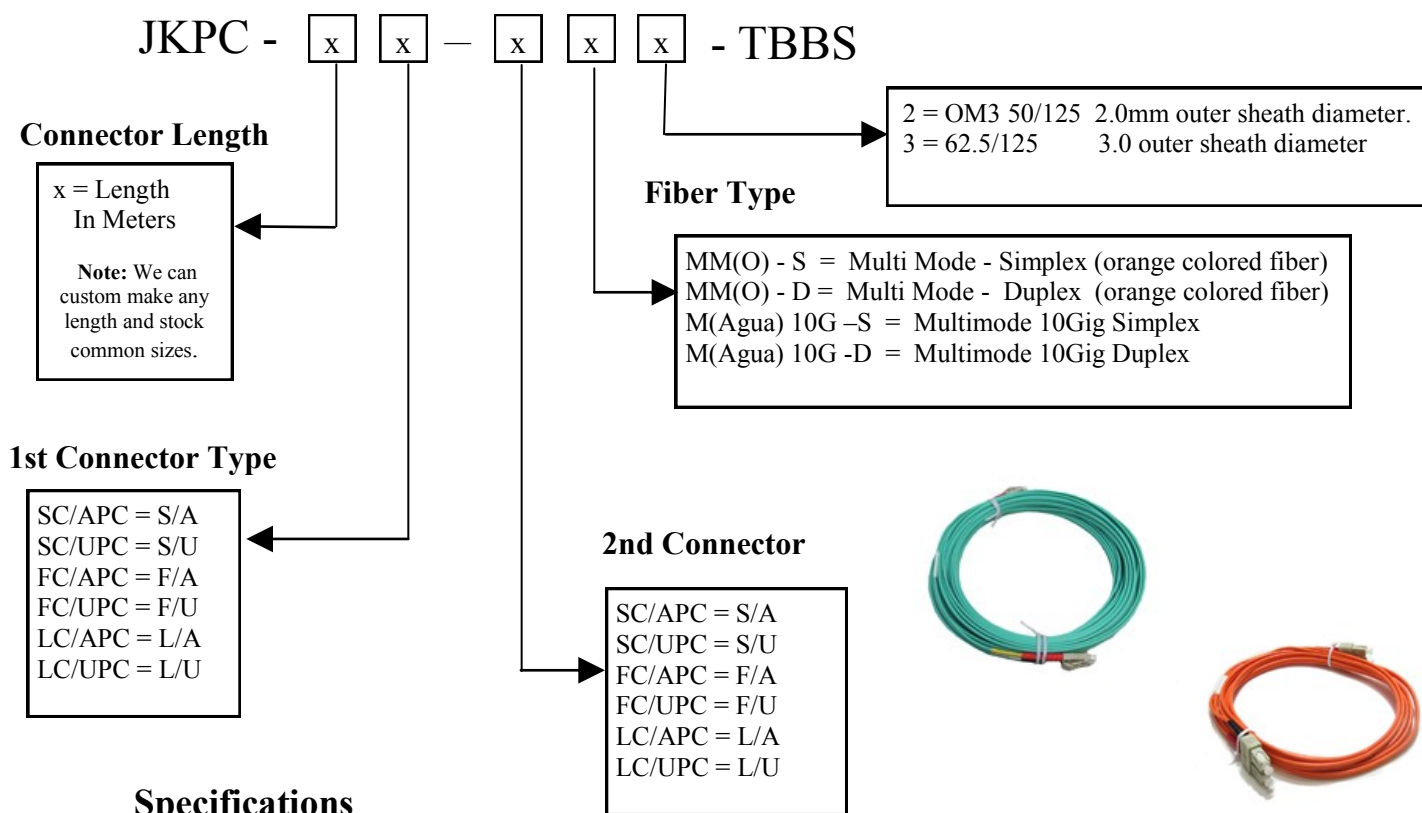




Optical Patch Cord **Multi Mode**

Our **Patch Cords and Jumpers** are high quality patch cords precision crafted for temperature stability and quality. They are available with SC, LC or FC connector types and are available in many sizes and fiber options. If you do not see your size or connector type we can custom design and manufacture them to fit your needs.

Part Number Matrix



Specifications

Insertion Loss	$\leq 0.16\text{dB}$	Fiber Type	OFNR E225130
Insert and Pull frequency	> 1000	Cable Rating	Riser (UL)
Repeatability	$\leq 0.10\text{dB}$	Size	Orange 3.0 mm OD
Operating Temperature	$-20\text{C} - +60\text{C}$		Agua 2.0mm OD
Return Loss	$\geq 50\text{dB UPC} \geq 60\text{dB APC}$		