



## ACTP-FT-Kit

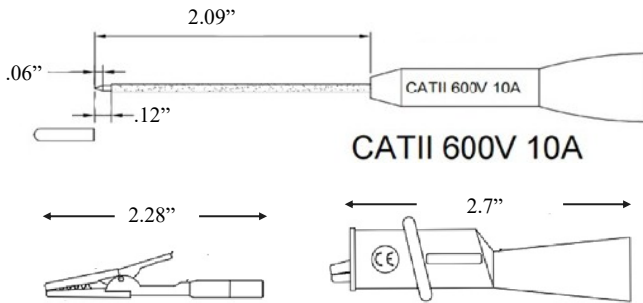
This kit is designed for the technician to test the AC voltage using a Fluke meter or Fluke compatible meter. The black alligator lead allows for hands free grounding (to the strand), the Red 2" needle probe allows the technician to reach the recessed connector pin in the newer style 2GHz taps and passives.

### Part Number

ACTP - x - KIT-TBBS

Lead Type

FT = Fluke Type Leads



### Specifications

#### Rigid Back Pin Probe (Red)

Probe Length            2 inches  
 Compatibility:        Slides onto 2 mm (0.08 inches) probes )  
 Rating                    CAT II 600V 10A

#### Insulated Alligator Clip (Black)

Probe Length            2.7 x 0.85 inches  
 Compatibility:        Compatible with Fluke TL71, TL75, TP175 and TL175 Leads