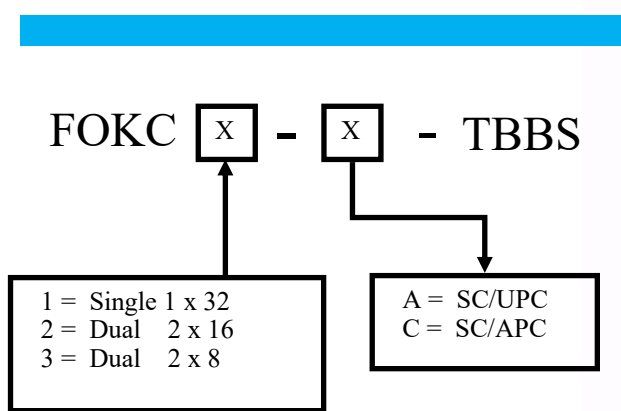




Ruggedized FTTx Splitter Module

Our ruggedized FTTx splitters are made utilizing Corning’s ClearCurve ZBL Optical Fiber which delivers the industry’s leading microbending performance. Our splitters utilize a metal frame adaptor holder to help organize fibers for shipping and handling. It is 100% compatible with all Industries' cabinets. Every port is cleaned, inspected and tested.

Part Number



Specifications

| | | | |
|-----------------------|----------------------------------|-------------|-------------|
| Splitter Dimensions | 100 mm L x 80 mm W x 10 mm H | | |
| Fiber Type | Singlemode (G.657.A) | | |
| Fiber Manufacturer | Corning ClearCurve ZBL | | |
| Leg Lengths | 51” (1295.40 mm) | | |
| Jacket O.D. | 2.0mm | | |
| Jacket Material | TPU (Thermoplastic Polyurethane) | | |
| Connector Types | SC/UPC, SC/APC | | |
| Microbend Loss | ≤ 0.10 (5mm bend at 1550nm) | | |
| Splitter Type | 1x32 | 2x16 | 2x8 |
| Wavelength Range (nm) | 1260 – 1650 | 1260 – 1650 | 1260 – 1650 |
| Insertion Loss | < 16.8 dB | < 13.8 dB | < 10.8 dB |
| Return Loss | > 50 dB | > 50 dB | > 50 dB |
| PDL | < 0.3dB | < 0.3 dB | < 0.3 dB |
| Uniformity | < 1.7 dB | < 1.2 dB | < 0.8 dB |
| Directivity | > 55 dB | > 55 dB | > 55 dB |