

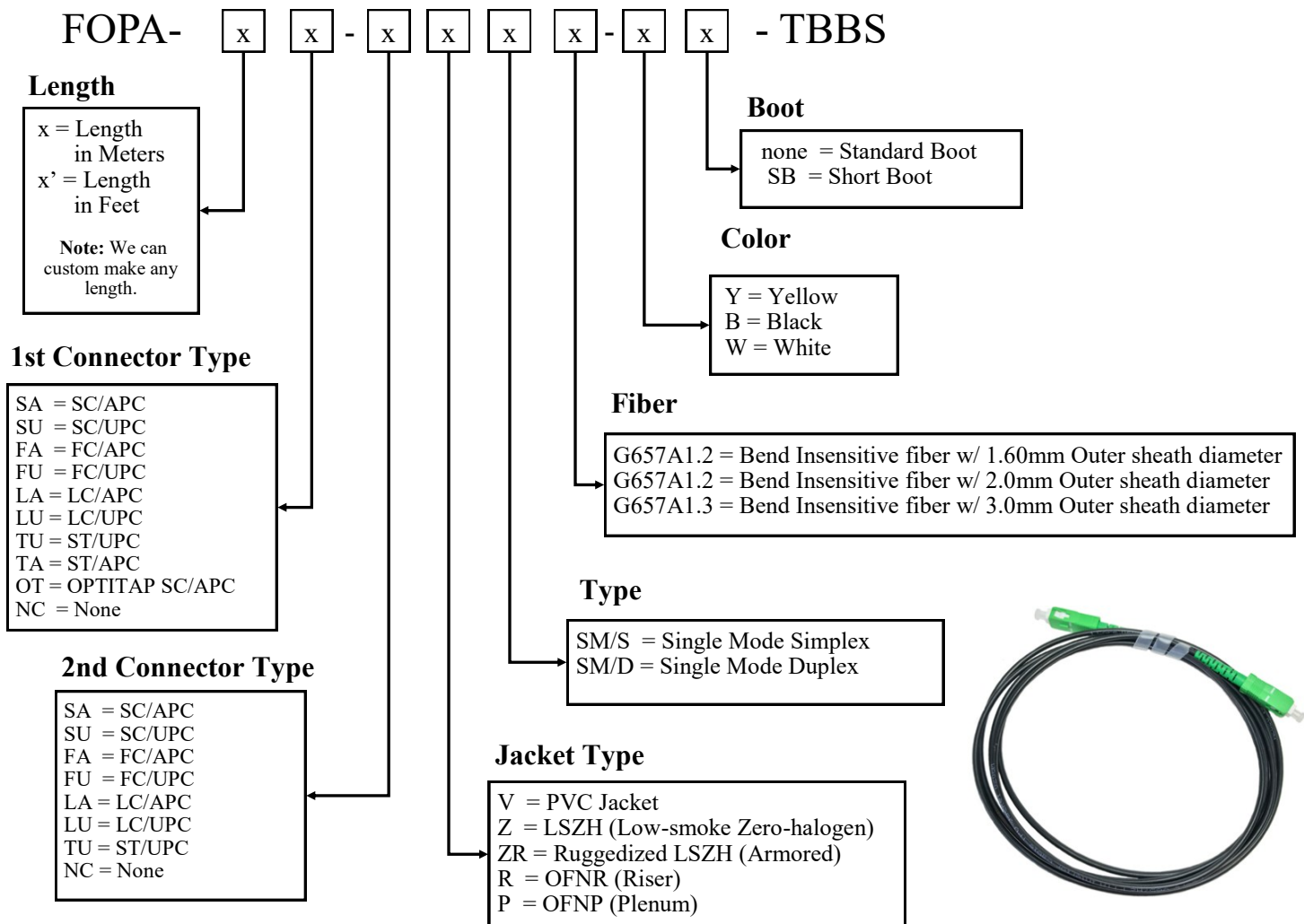


# Patch Cord / Jumper



## Optical Patch Cord (OM2 Singlemode)

### Part Number Matrix



### Specifications

Insertion Loss	<= 0.30dB (0.2dB standard)	Jacket Construction	PVC/LSZH/OFNP/OFNR
Insert and Pull frequency	> 1000	Fiber Rating	900 μm Tight Buffer
Repeatability	<= 0.10dB	Ferrules	G657.A
Operating Temperature	-20C - +60C	End Markings	Ceramic
Return Loss	>= 50dB UPC >= 60dB APC		Each end marked A//B