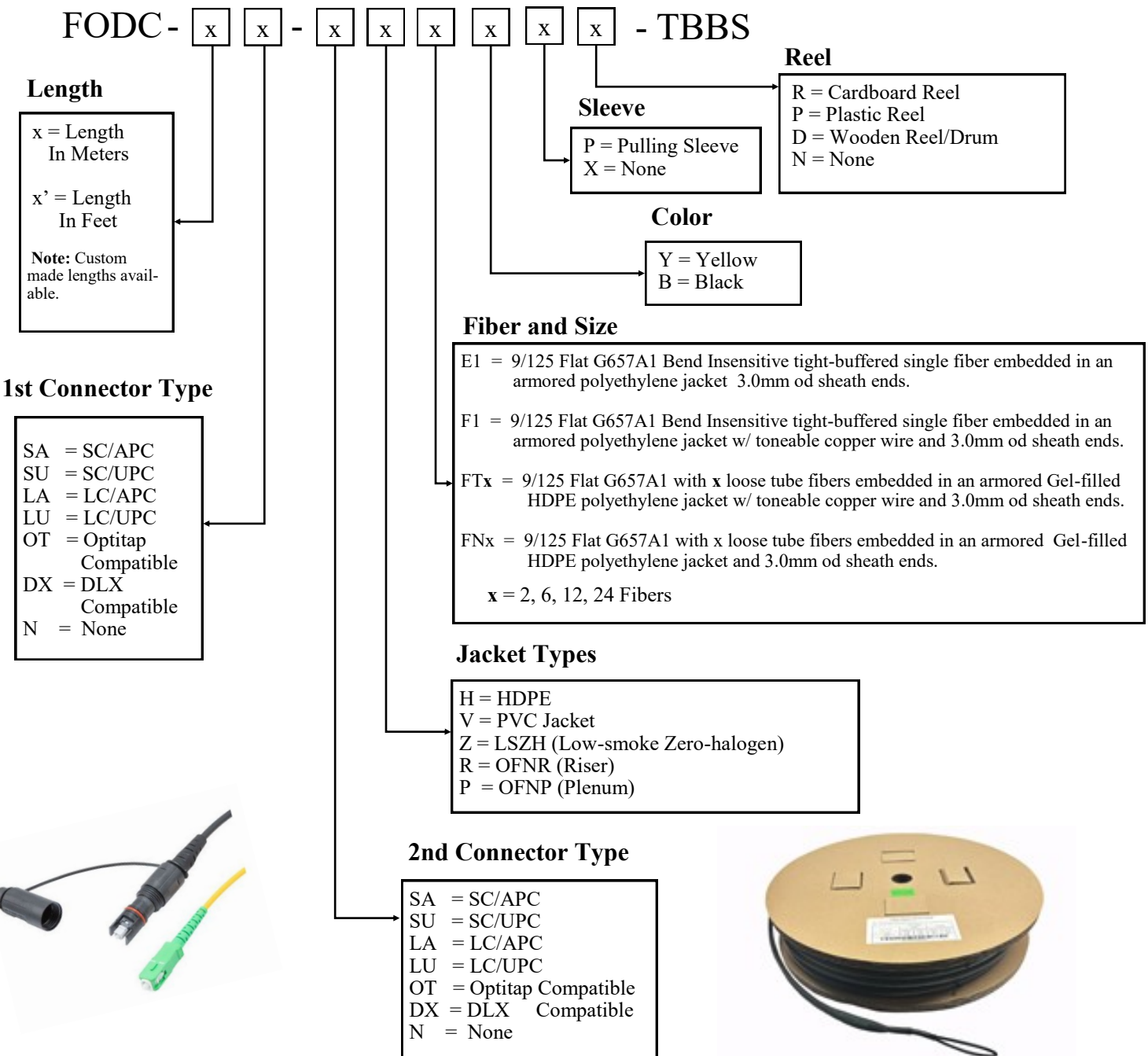




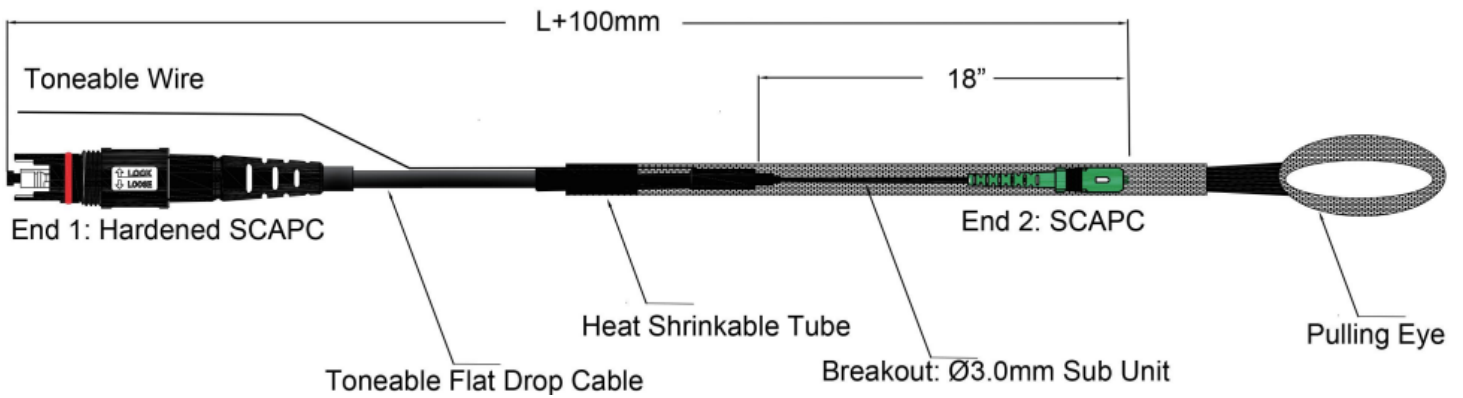
Fiber Optic Single Mode Drop Cable

Part Number Matrix



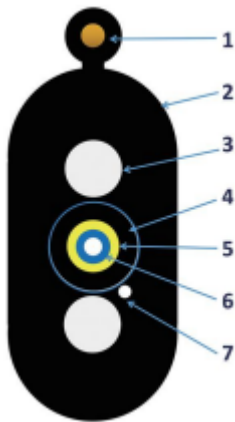


F1 Specifications/Drawing



Shown with Optitap Compatible Option

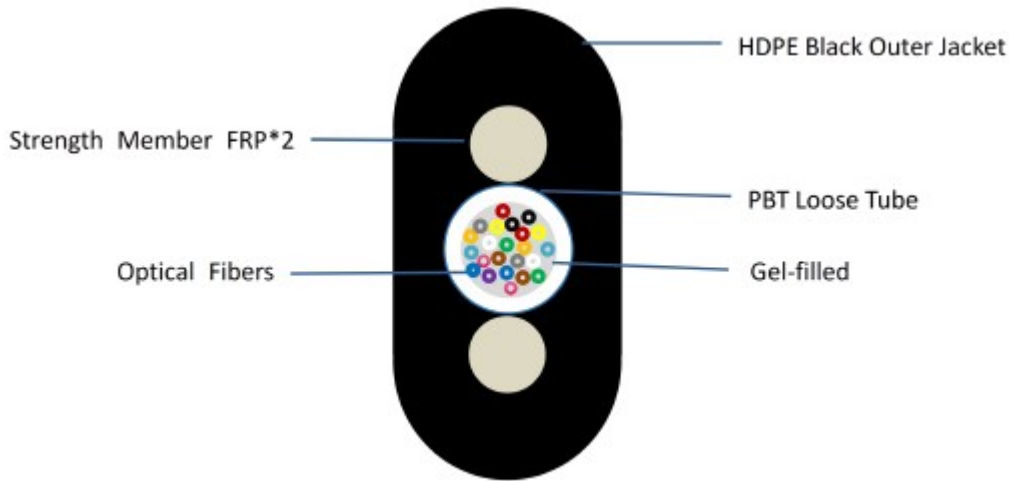
F1 Drop Cable Parameters



No.	Description	Parameter
1.	Toneable Wire	24 AWG
2.	Outer Jacket	HDPE
3.	Armor Cords	FRP
4.	Inner Member	3.0mm LSZH/PVC
5.	Inner Member	Armored Yarn
6.	Fiber	0.9mm Tight Buffer G657A1
7.	Water-Blocking	Water Blocking Yarn (gel-free)
	Operating Temp	-40to +70C
	Insertion Loss dB	Typical <0.15, Max <0.3
	Return Loss dB	>60
	Ingress Protection	IP68
	Eye Pull Strength	450N (100lbs)
	Fiber Glass Mfr	YOFC
	Application	Direct Bury, Duct, Aerial



FNx Specifications/Drawing



FNx Drop Cable Parameters

	Description	Parameter
	Fiber	G652D
	Fiber	PBT Loose Tube 2.9mm
	Fiber Count	2-24
	Inner Core	Gel-filled
	Armor Cords	FRP 1.6mm
	Outer Jacket	HDPE 4.5x8.1mm (HxW)
	Color	Black
	Installation Temp	-10to +70C
	Insertion Loss dB	Typical <0.15, Max <0.3
	Return Loss dB	>60
	Ingress Protection	IP68
	Application	Direct Bury, Duct, Aerial

Fiber Color Code

1	2	3	4	5	6	7	8	9	10	11	12
13	14	15	16	17	18	19	20	21	22	23	24
...