

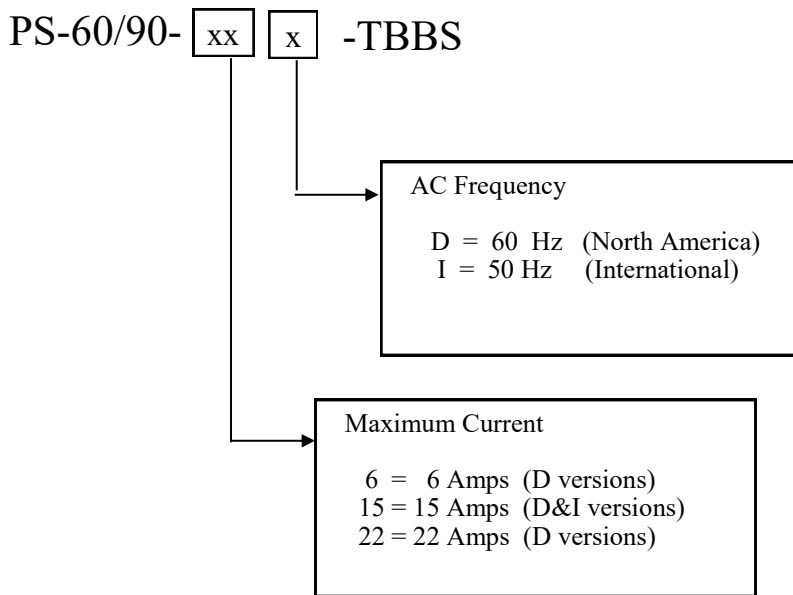
Category Power Supply



Non-Standby Power Supply

The PS-60/90 series power supplies are available in 4 different models to fit a range of applications and requirements. Models are available with 6-amp, 15-amp, 22.5-amp domestic (60Hz) models and a 15 amp International (50Hz) model. All models are field selective for either 60 or 90 Volt AC output and are built in a rugged aluminum housing for outdoor weather protection.

Part Number Matrix



Category Power Supply



Non-Standby Power Supply

Specifications

Model	PS-60/90-6D	PS-60/90-15D	PS-60/90-22D	PS-60/90-15I
Type	Non Standby	Non Standby	Non Standby	Non Standby
Application	Domestic	Domestic	Domestic	International
Output (switchable)	60/90 Volt	60/90 Volt	60/90 Volt	60/90 Volt
Wattage	360	900	1350	900
Maximum Amps	6	15	22.5	15
Minimum load	1 Amp	1 Amp	1 Amp	1 Amp
Frequency	60 Hz	60 Hz	60 Hz	50 Hz
Input	120-240 VAC	120-240 VAC	120-240 VAC	240 VAC
Nominal Voltage	± 15%	± 15%	± 15%	± 15%
Frequency	60 Hz	60 Hz	60 Hz	50 Hz
Input Fuse	8 Amp	8 Amp	10 Amp	8 Amp
Size	13.2 x 8.5 x 7.5"	13.2 x 8.5 x 7.5"	13.2 x 8.5 x 7.5"	355 x 217 x 190mm
Weight	27 Lbs	36 Lbs	40 Lbs	16Kg

Common Specifications

Indicators	Green Indicator lamp
Housing	Aluminum NEMA
Protection	IP-21
Mounting system	Pole or wall bracket included
Color/ Finish	Champagne / Powder coat
Output connector	5/8-24 CH Type
Protection	Short circuit and alarm
Circuit breaker	Micro 150% of rated current
Input connection	Terminal strip